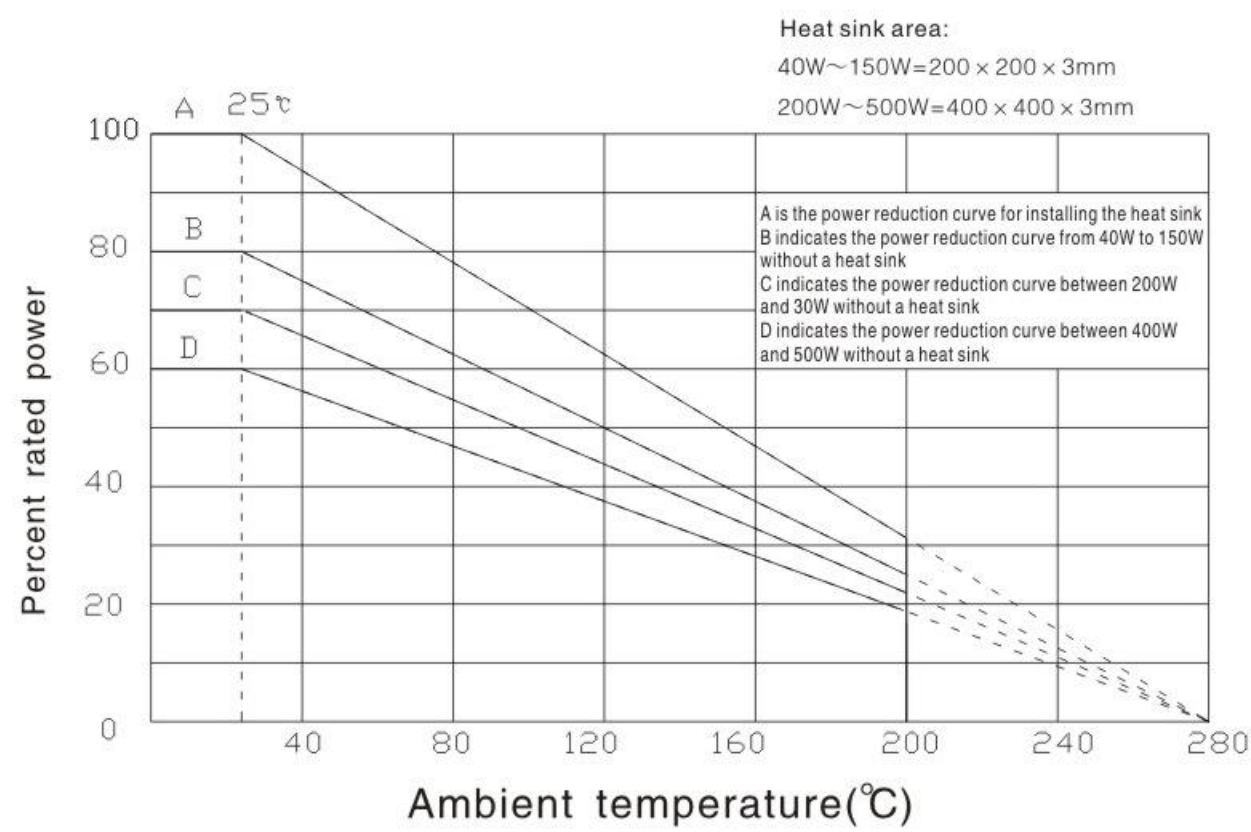
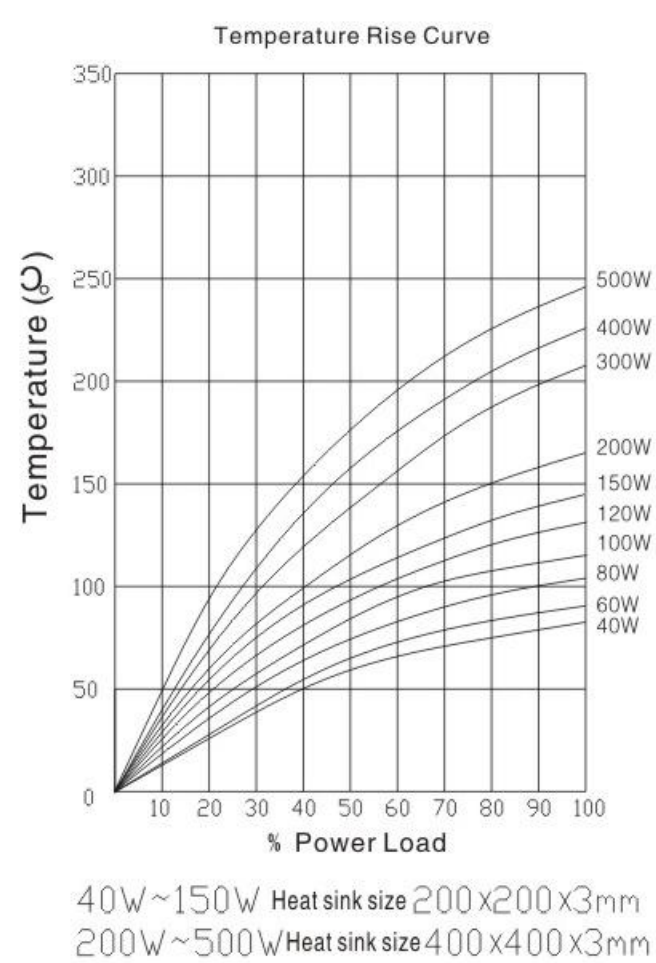
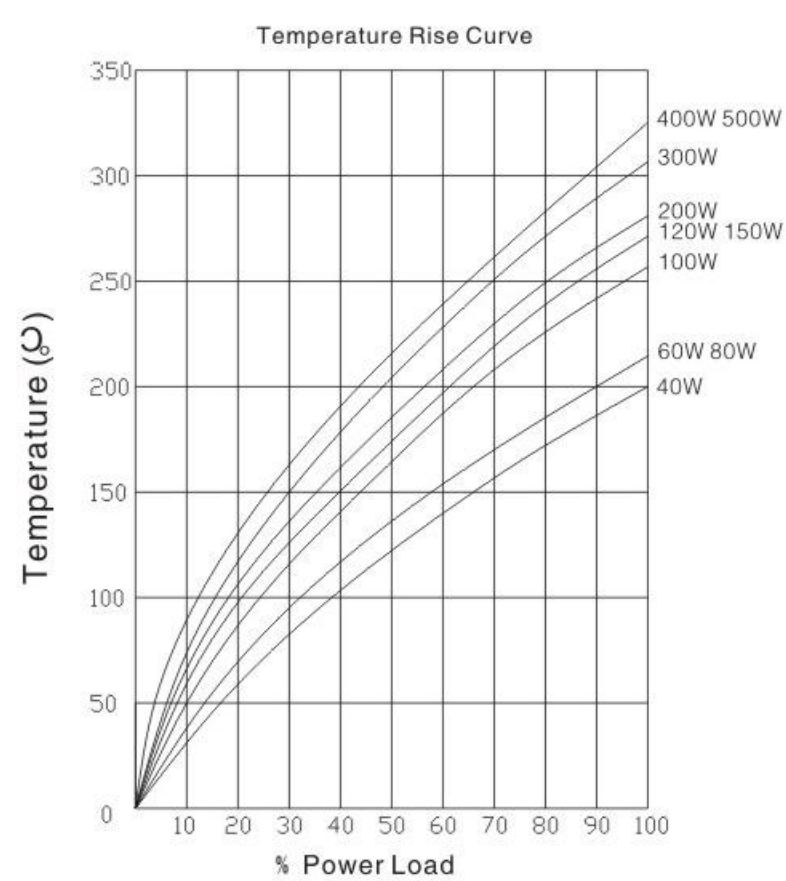


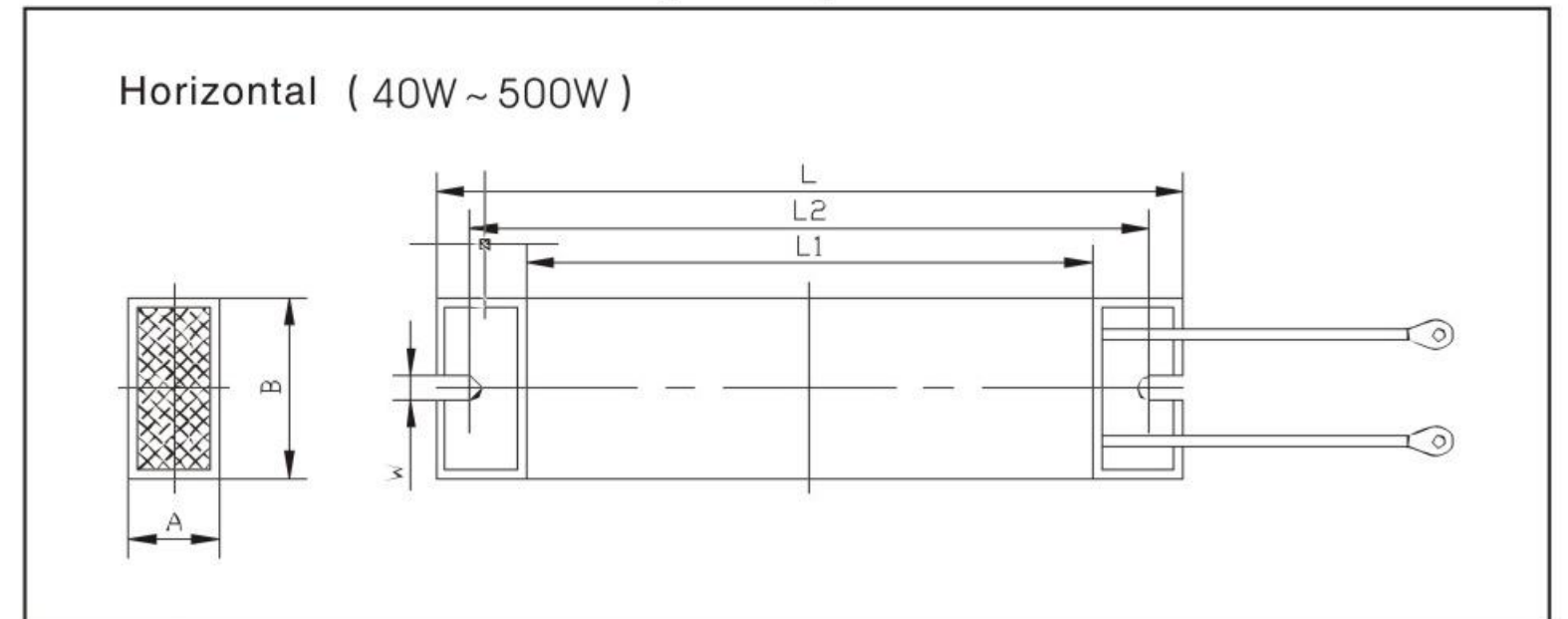
Derating Curve



Temperature Rise Curve



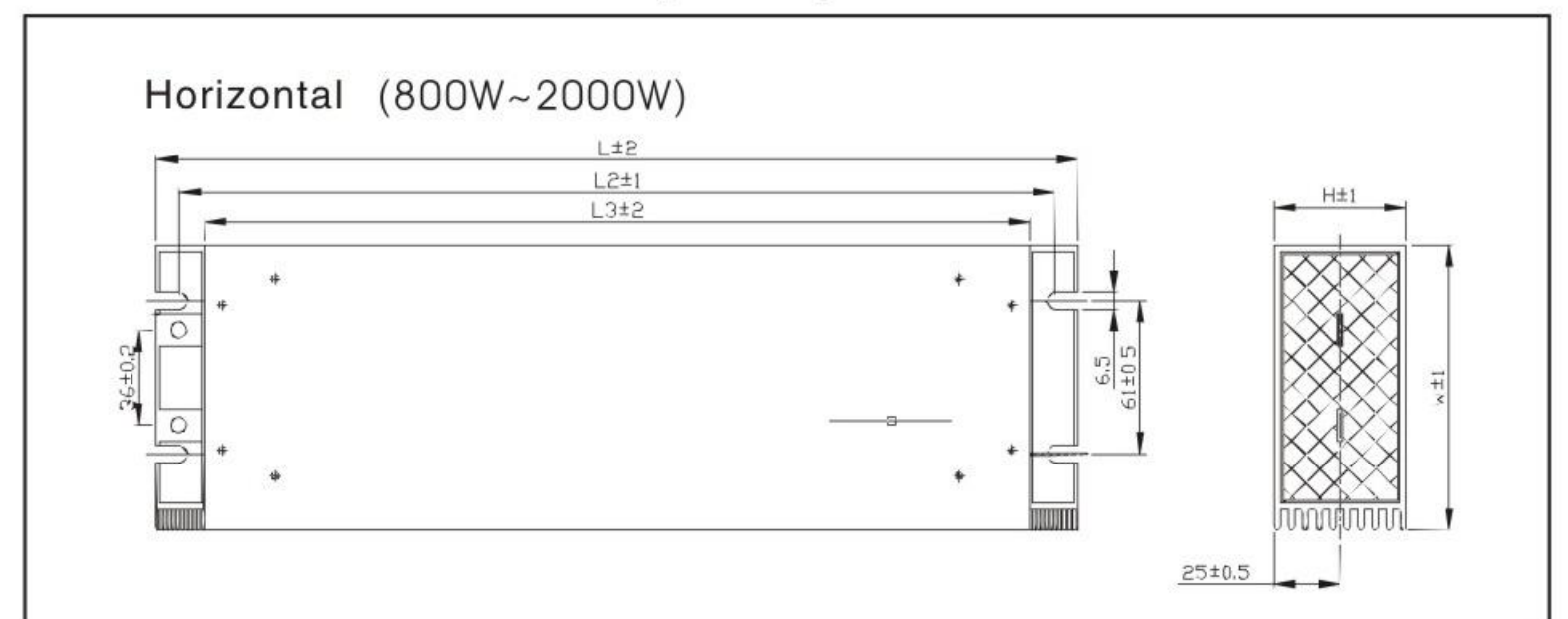
Construction(mm)



Dimensions(mm)

Power(W)	L ± 2	L1 ± 2	L2 ± 2	A ± 1	B ± 1	W
40	95	64	84	20	40	4.2
60	115	84	98	20	40	5.6
80	140	109	123	20	40	5.6
100	165	134	148	20	40	5.6
120	190	159	173	20	40	5.6
150	215	184	198	20	40	5.6
200	165	119	147	30	60	5.6
300	215	169	197	30	60	5.6
400	265	219	247	30	60	5.6
500	335	289	317	30	60	5.6

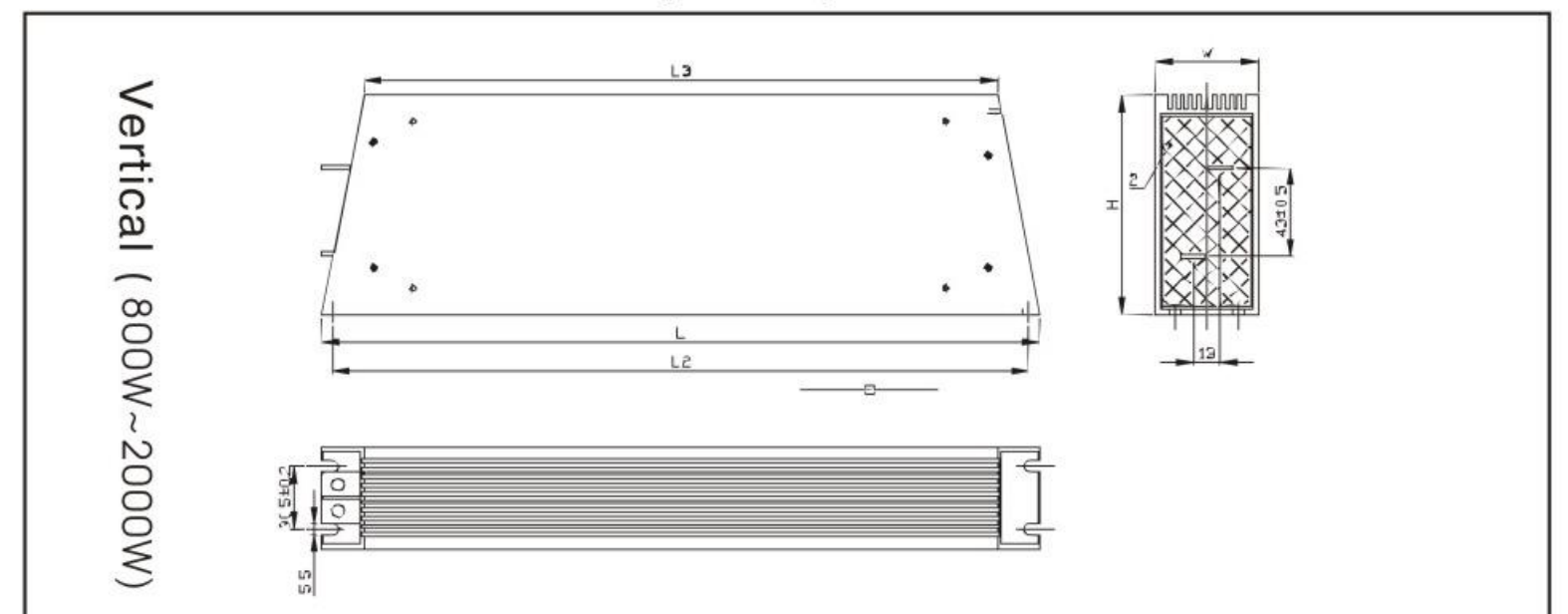
Construction(mm)



Dimensions(mm)

Power(W)	L	W	H	L2	L3
800W	350	107	50	334	309
1000W	400	107	50	384	359
1200W	450	107	50	434	409
1500W	485	107	50	469	444
1800W	500	107	50	484	459
2000W	550	107	50	534	509

Construction(mm)



Dimensions(mm)

Power(W)	L ± 2	H ± 1	W ± 1	L2 ± 1	L3 ± 1
800W	350	107	50	334	309
1000W	400	107	50	384	359
1200W	450	107	50	434	409
1500W	485	107	50	469	444
1800W	500	107	50	484	459
2000W	550	107	50	534	509