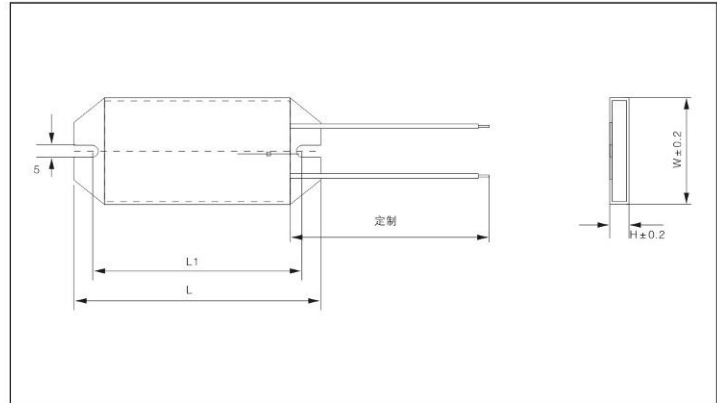




Construction(mm)



Dimensions(mm)

Type	Rated power 70°C	Resistance range	Dimensions (mm)				Precision
			L ± 1	L1 ± 0.5	H ± 0.5	W ± 0.5	
RXLB-40	40W	1R~100R	100	85	8	45	± 5% ± 10%
RXLB-60	60W	2R~200R	118	103	8	45	
RXLB-80	80W	2R~500R	127	115	8	45	
RXLB-150	150W	3R~900R	195	188	12.5	60	

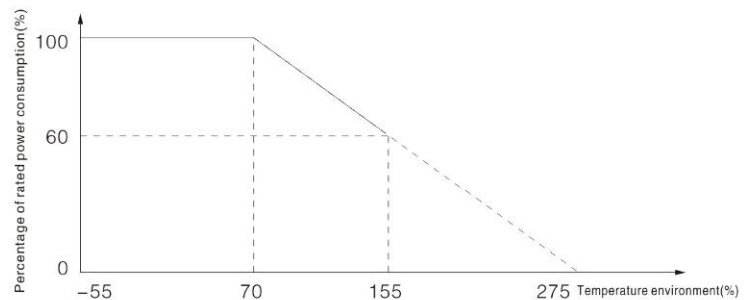
Features

- Resistance to vibration and moisture
- Easy to attach radiator, easy to install

Applications

- Inverter, power supply and other bad industrial control environment

Derating Curve



When the ambient temperature rises from 70 ° C to 275 ° C, the allowable load of the resistor is reduced from 100% of the rated power to 0%

Performance

Characteristics	Specifications	Test Methods
Short-term overload	$\Delta R \leq \pm (2\%R \pm 0.05 \Omega)$	$\sqrt{5RP}$ 5s
Withstanding Voltage	No mechanical damage, No breakdown flying arc	1000V Ac 1mA 60s ± 5s
Insulation resistance	$\geq 1G \Omega$	Measuring Voltage: 500 ± 50V
TCR	$\pm 260 (10^{-6}/K)$	GB/T 5729-2003 Article 4.8
Reduce Power Loss	When the ambient temperature rises from 25 ° C to 275 ° C, the allowable load of the resistor is reduced from 100% of the rated power to 0%	
long term life	$\Delta R \leq \pm (5\%R \pm 0.1 \Omega)$	1000h, 1.5h energized, 0.5h de-energized
surface temperature rise	$\leq 210^\circ C$	GB/T 5729-2003 Article 4.14 rated power to achieve thermal equilibrium