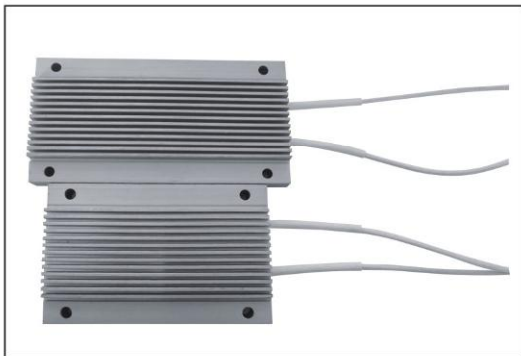
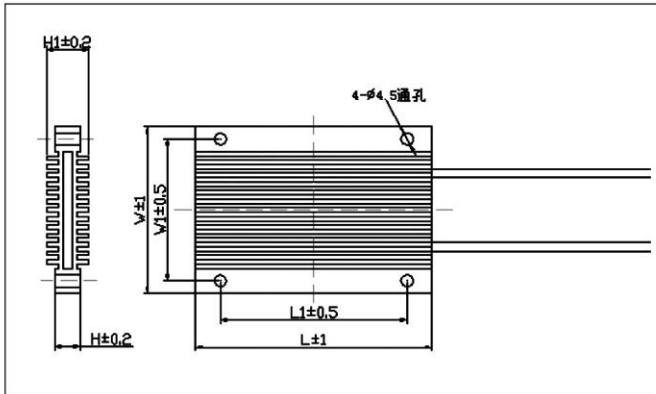


# RXLB-M Power aluminium encased wire-wound resistors



## Construction(mm)



## Features

- Vibration resistance
- Moisture proof
- Easy to attach radiator
- Ease of installation

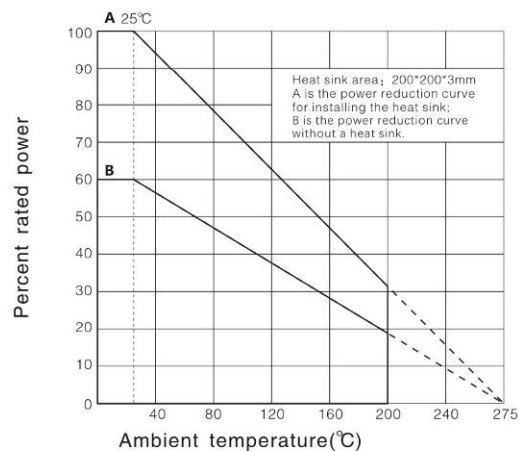
## Applications

- Transducer
- Power supply and other harsh industrial control environment

## Dimensions(mm)

Power	L±1	L1±0.5	W±1	W1±1	H±0.2	H1±0.2
60W	95	75	60	50	12	19
80W	115	95	60	50	12	19

## Derating Curve



## Performance

Characteristics	Specifications	Test Methods
Short-term overload	$\Delta R \leq \pm (2\%R + 0.05\Omega)$	$\sqrt{5PR}$ 5s
Withstanding Voltage	No mechanical damage, No breakdown flying arc	1000Vac 1mA 60s ± 5s
Insulation resistance	$\geq 100M\Omega$	Measuring Voltage: 500 ± 50V
TCR	$\pm 260(10^{-6}/K)$	GB/T 5729-2003 Article 4.8
Reduce Power Loss	When the ambient temperature rises from 25 ° C to 275 ° C, the allowable load of the resistor is reduced from 100% of the rated power to 0%	
long term life	$\Delta R \leq \pm (5\%R + 0.1\Omega)$	1000h, 1.5h energized, 0.5h de-energized
surface temperature rise	$\leq 250^{\circ}C$	GB/T 5729-2003 Article 4.14 rated power to achieve thermal equilibrium