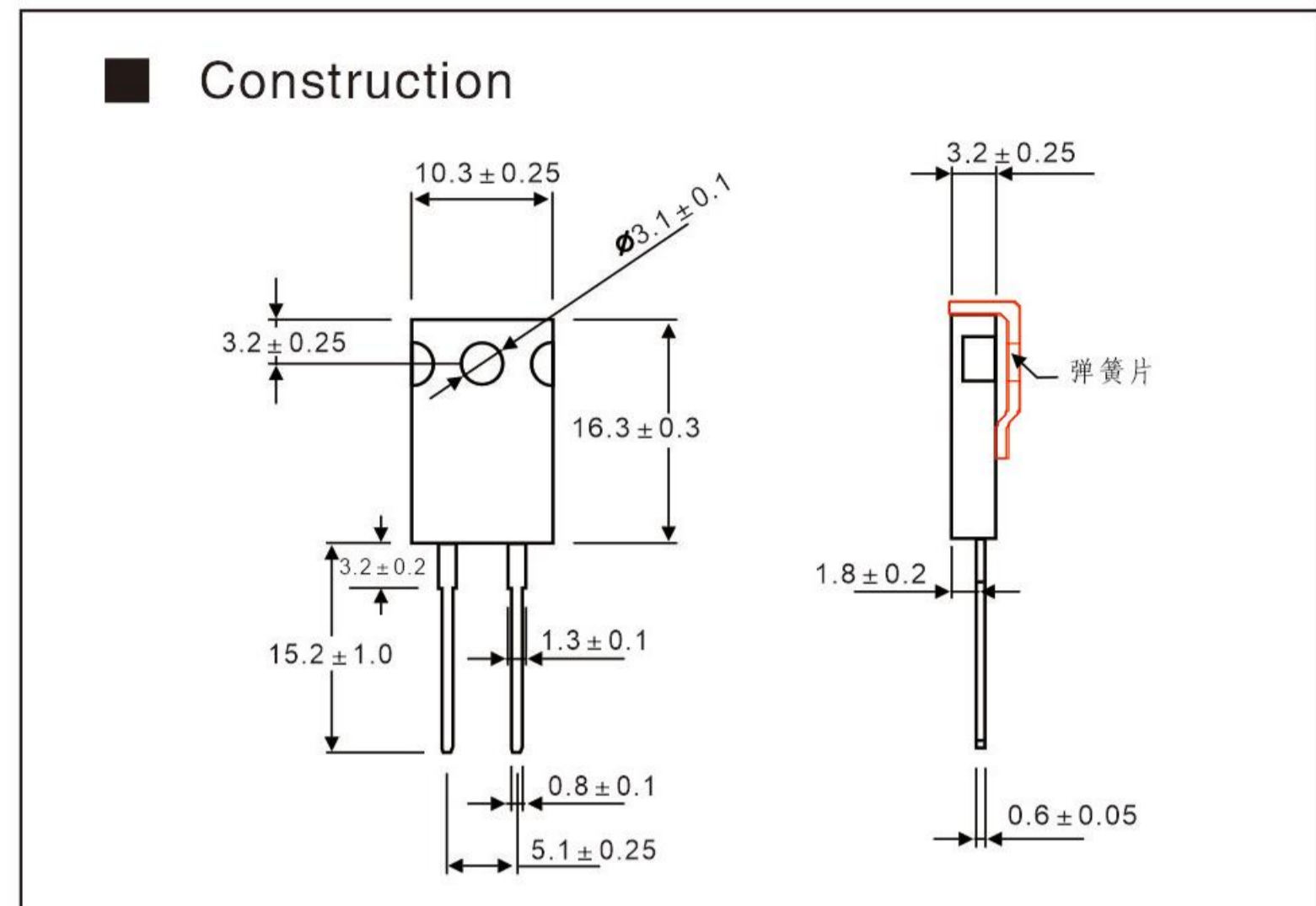
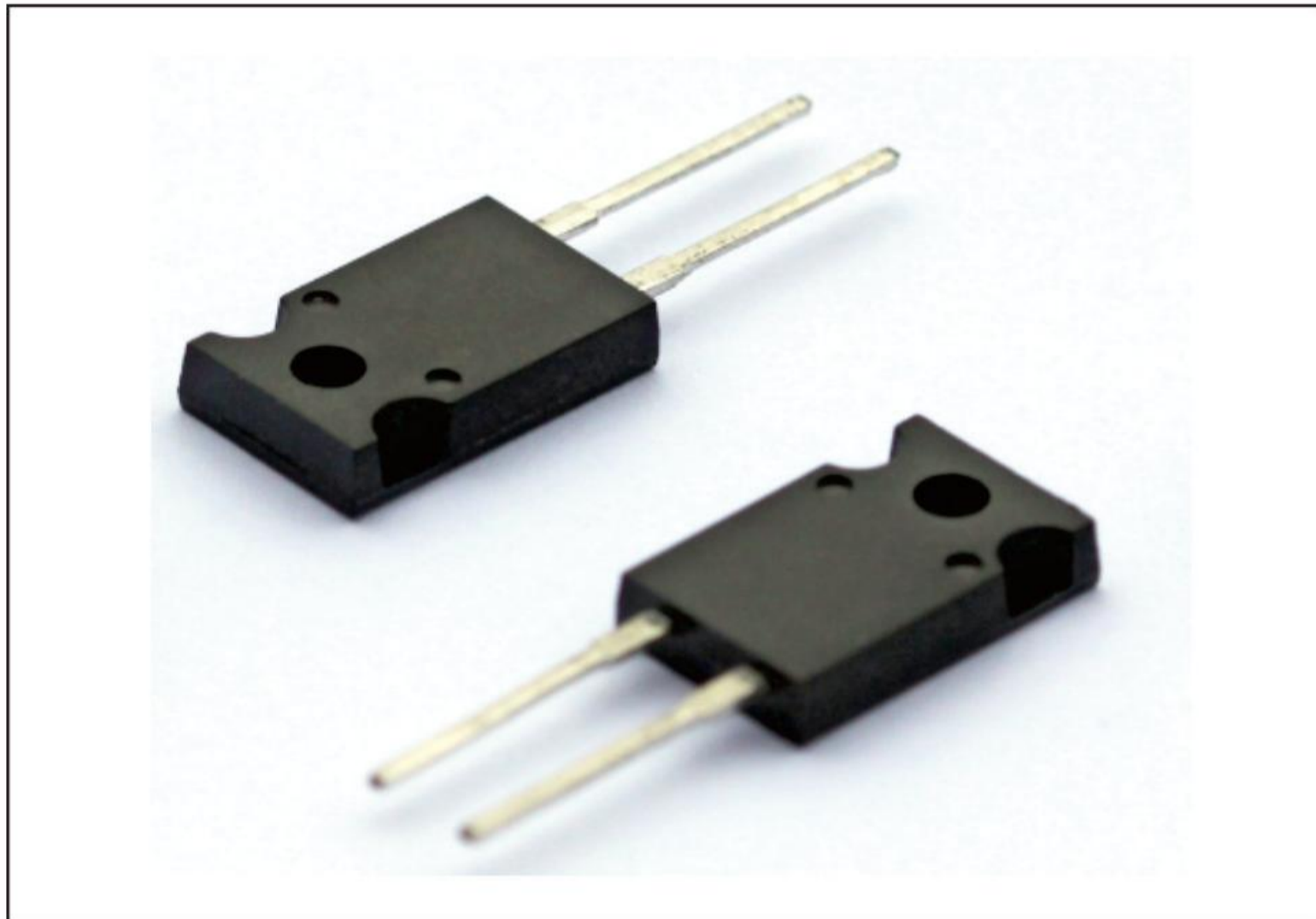


POWER THICK FILM RESISTORS

SERIES RTP50



■ Characteristics

- 0.5% Tolerance available
- High power rating
- Non inductive
- To-220 standrd package
- Wide ohmic value range
- Easy mounting

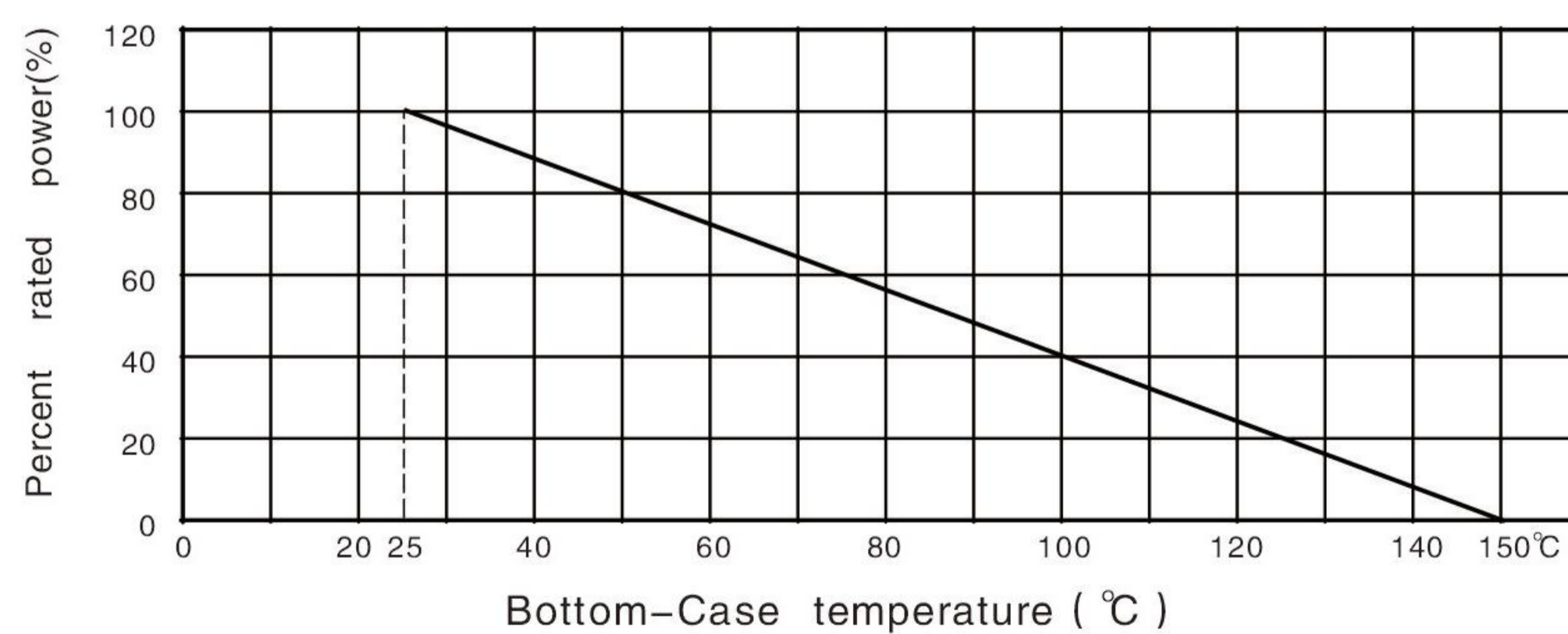
■ Technical Standard

GB/T5729-2003 Fixed resistors for use in electronic equipment
 Part I: General Specification
 Q/BDS 018-2017 RTP-type molding power thick-film fixing Detail specification for resistors
 Assessment level E

■ Application Area

Automotive electronics, induction heating, power supply equipment, medical equipment, wind and solar power generation and other power electronics industries.

■ Derating Curve



POWER THICK FILM RESISTORS

SERIES RTP50



■ Performance Characteristics

TYPE	RTP50		
Power rating(25°C)	50W		
Thermal resistance	2.5°C/W		
Resistance value range	0.1Ω-1Ω	1Ω-10Ω	10Ω-1MΩ
Tolerance	±5%; ±10%	±5%; ±10%	±1%; ±5%
TCR	±500ppm/°C	±250ppm/°C	±50ppm/°C; ±100ppm/°C
MAX. Working voltage	450V		
Dielectric Strength	1800VAC		
Temperature range	-55°C-125°C		
Climatic category	55/125/56		
Weight	2.0g Max		

Special specifications can be supplied in consultation with customers.

The condition of the above power is needed to mount a heatsink if they has no heatsinks,the power only be 2.25W

■ Technical Data _General

TEST ITEM	SPECIFICATIONS	TEST METHOD GB/T5729-2003 IEC60115-1: 2001
Short time overload	1.5 times rated power 10s $\Delta R \leq \pm (0.25\%R + 0.05\Omega)$	4.13
Rapid temperature change	$\Delta R \leq \pm (0.25\%R + 0.05\Omega)$	4.19
Temperature cycling	$\Delta R \leq \pm (1\%R + 0.05\Omega)$	4.23
Humidity (steady States)	$\Delta R \leq \pm (1\%R + 0.05\Omega)$	4.24
Load life	$\Delta R \leq \pm (1\%R + 0.05\Omega)$	4.25.2