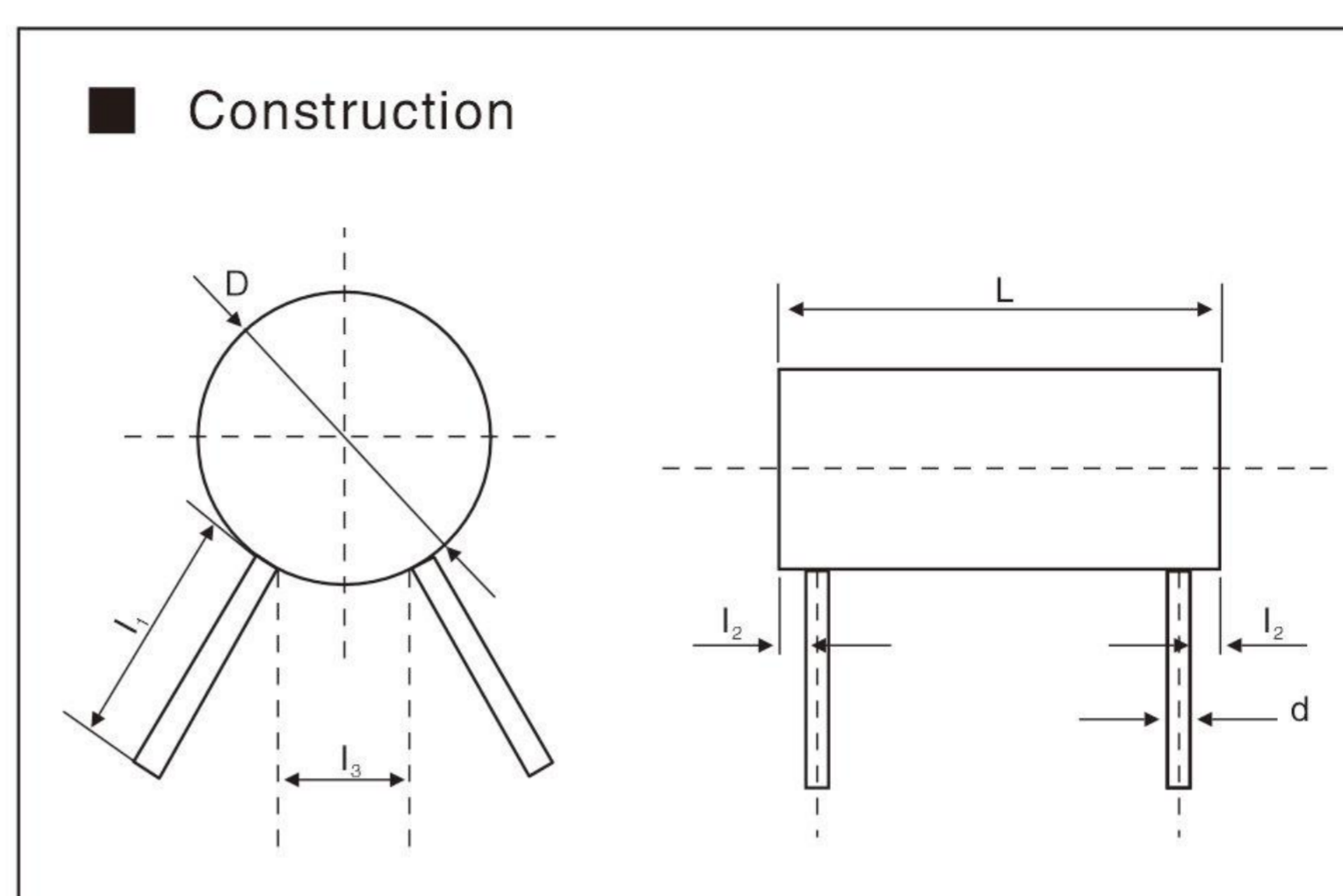
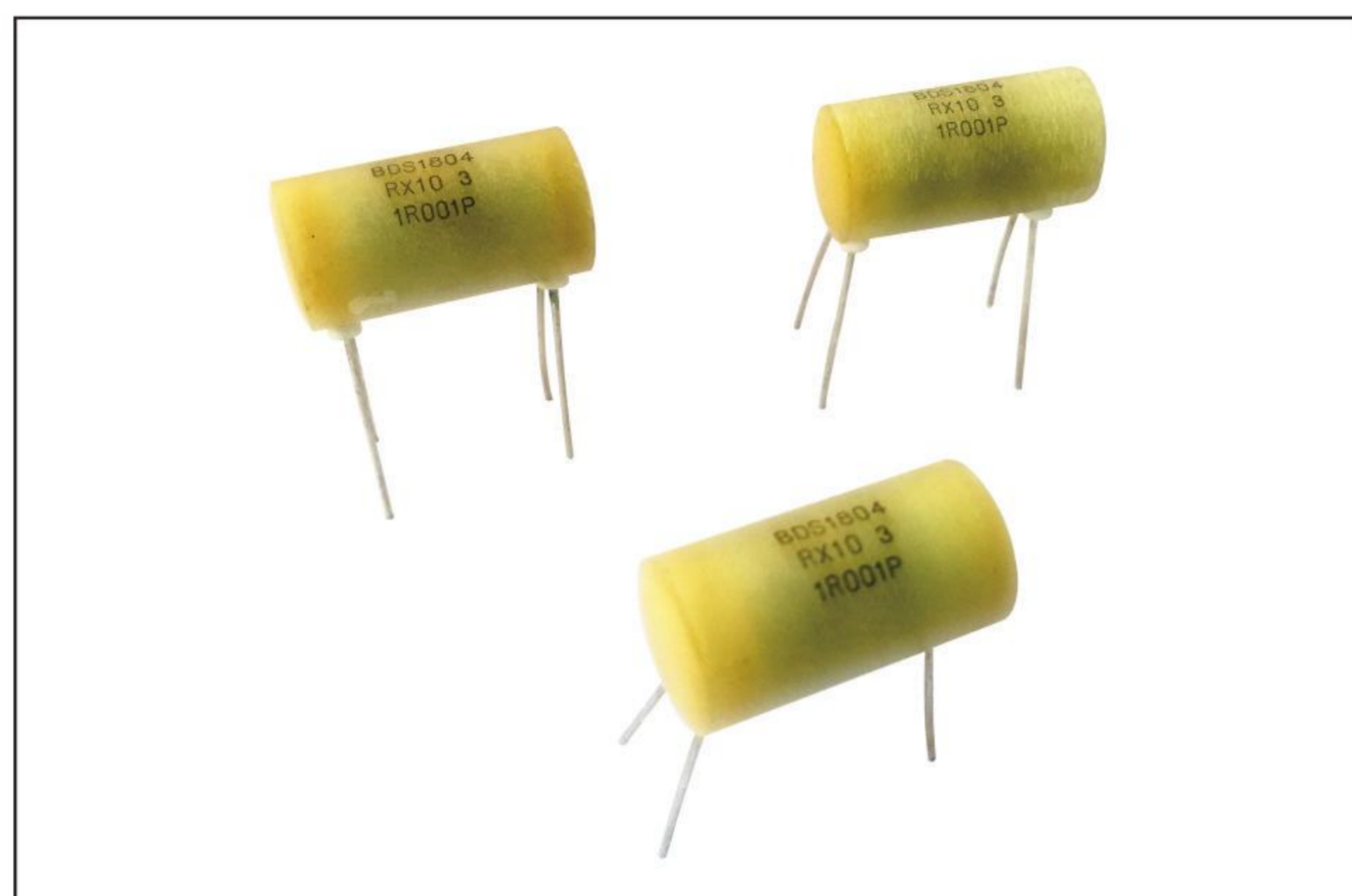


Series RX10

Precision Wirewound Resistors



■ Characteristics

- Excellent Properties of Insulation and Humidity-proof
- Excellent Stability and Reliability
- Low resistance, High Precision and Low TCR

DIMENSIONS (mm)						
Model	$L \pm 0.5$	$D \pm 0.5$	$l_3 \pm 0.5$	$l_2 \pm 0.1$	$l_1 \pm 3$	$d \pm 0.05$
RX10-0.5W	26	13	4	1.5	25	0.8
RX10-1W	29	15	5			
RX10-2W	39	18	16			

■ Technical Specifications

TYPE	RX10-0.5W	RX10-1W	RX10-2W
Rated Power at 70°C(W)	0.5	1	2
Max Working Voltage(V)	0.7	1	1.4
Insulation Voltage(V)	700	1400	1400
Resistance Range(Ω)	0.01 ~ 1R	0.01 ~ 1R	0.01 ~ 1R
Tolerance Range	W ($\pm 0.05\%$), B ($\pm 0.1\%$), C ($\pm 0.25\%$), D ($\pm 0.5\%$), F ($\pm 1.0\%$)		
TC-Range($10^{-6}/K$)	C6 (± 10), C5 (± 15), C4 (± 20), C3 (± 25)		

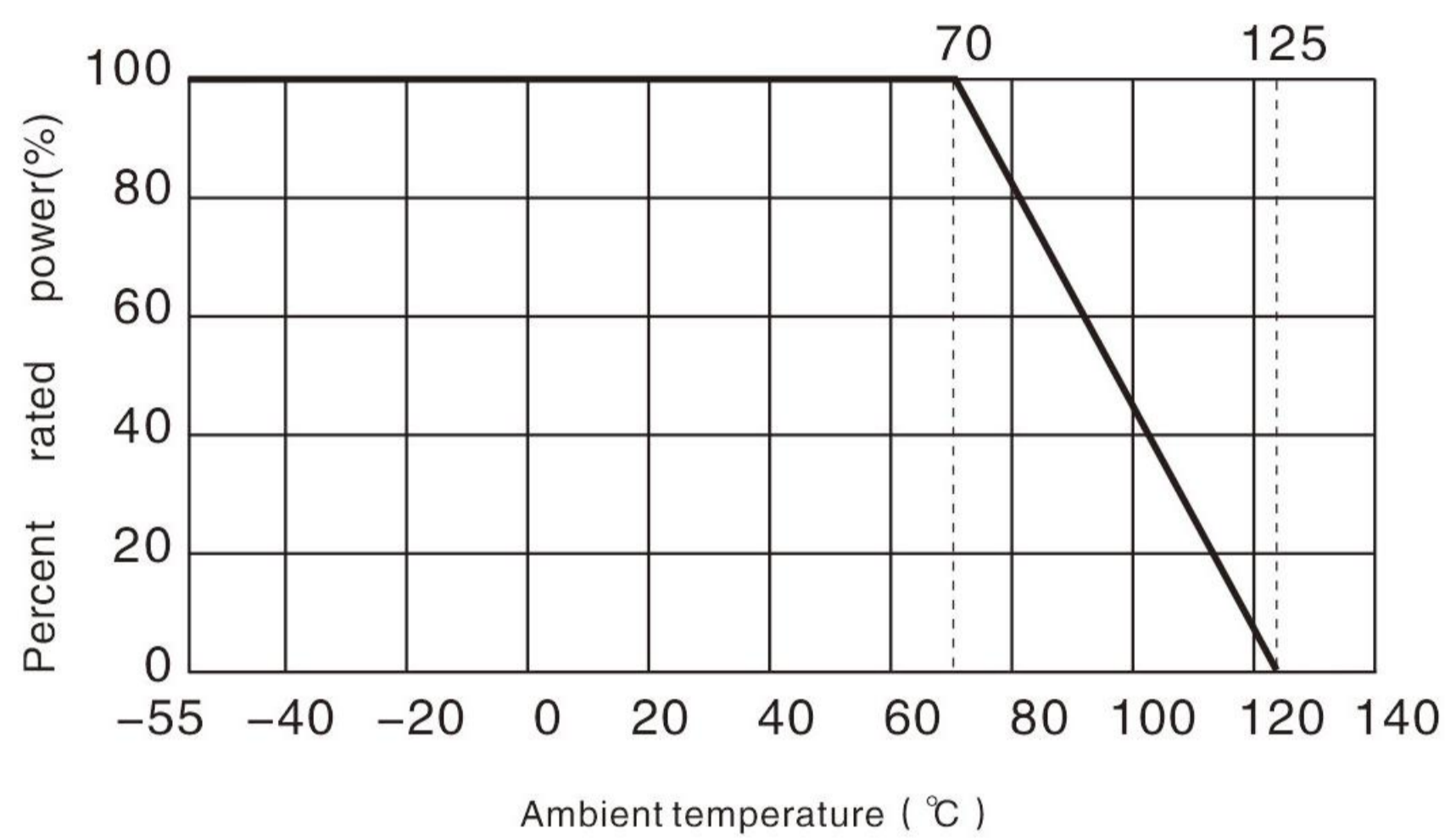
Series RX10

Precision Wirewound Resistors

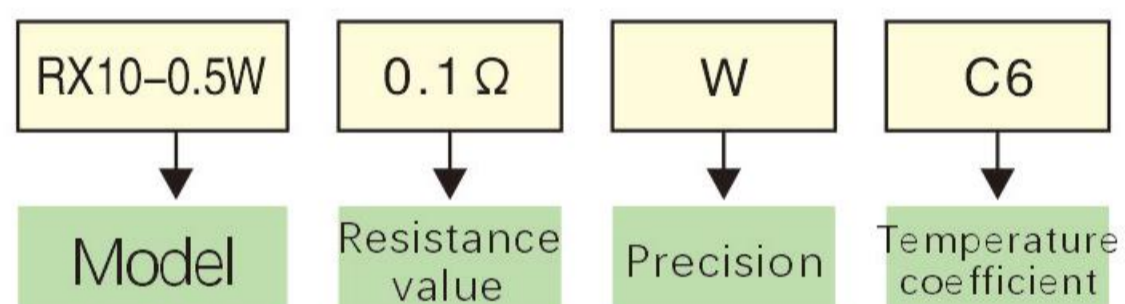


- Reference Standards
GB/T5729-2003、GB5734-85

- Derating Curve



- Examples for purchase



- Packaging

Packaging: Bulk in plastic bags (MOQ: 10 pcs).