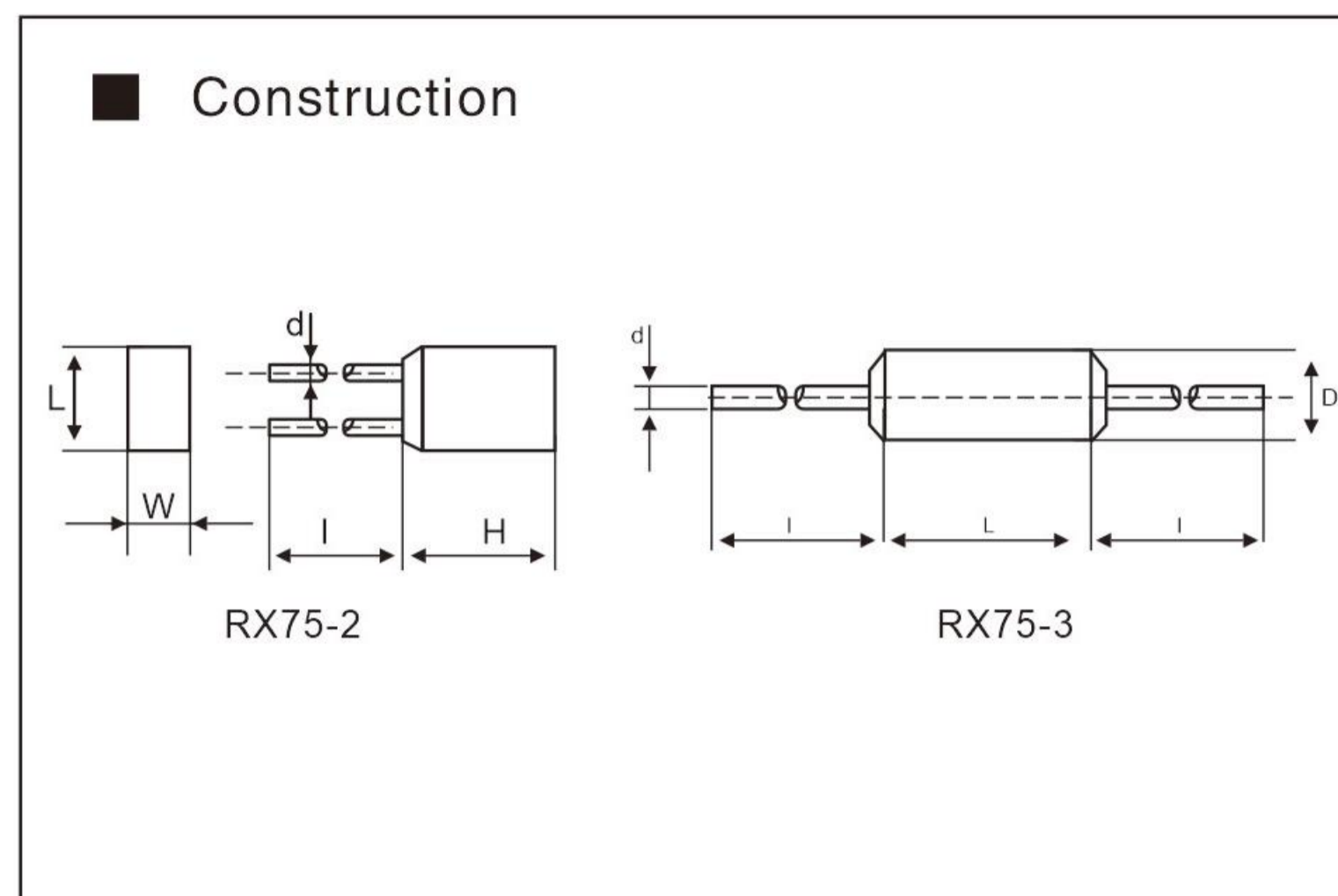
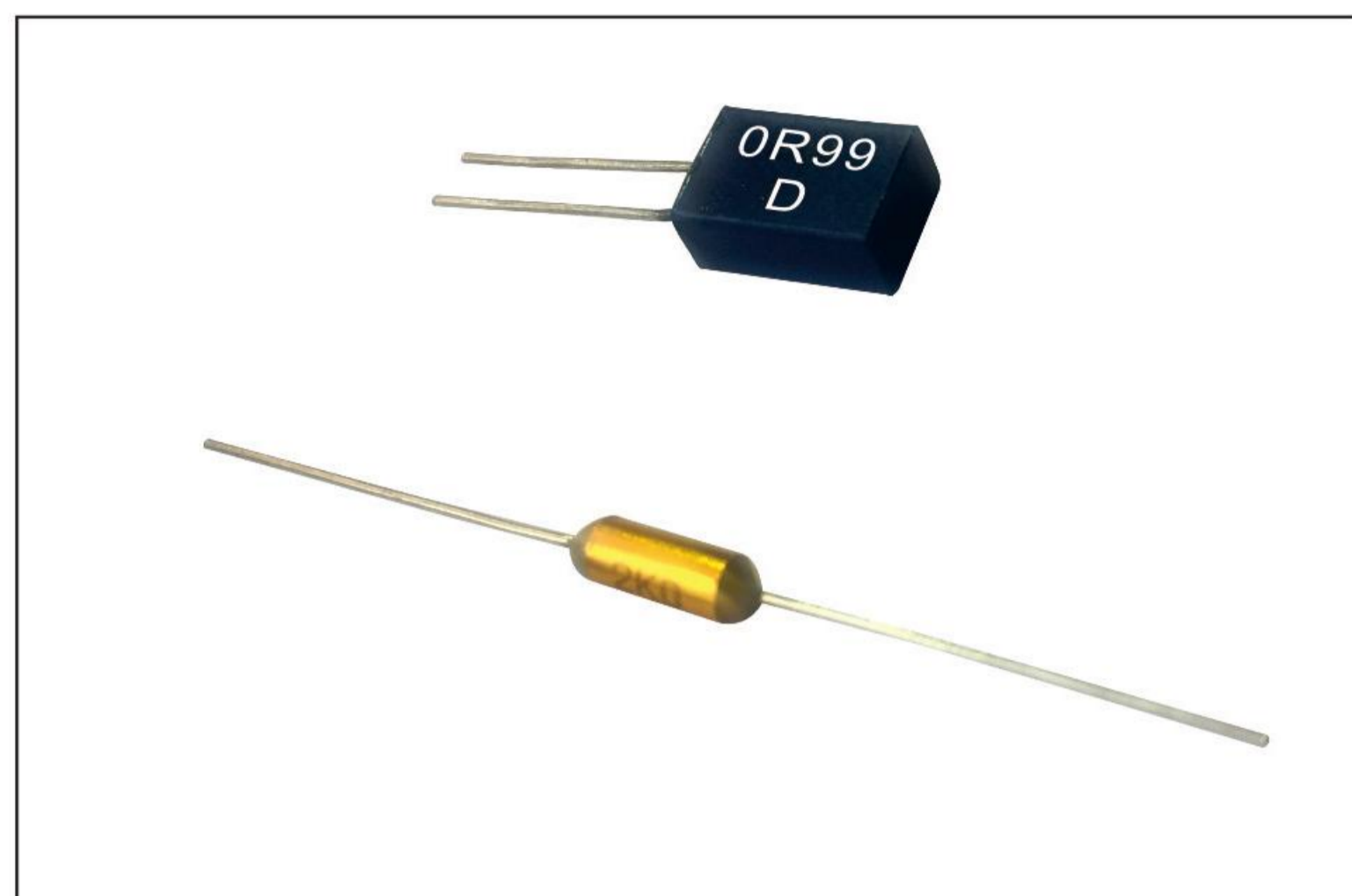


# Series RX75

## Precision Wirewound Resistors



### ■ Characteristics

- Excellent Properties of Insulation and Humidity-proof
- Excellent Stability and Reliability
- High Precision and Low TCR
- Small Size

DIMENSIONS ( mm )						
Model	Power ( W )	$L^{+0.6}_{-0.1}$	$W^{+0.5}_{-0.1}$	$H \pm 0.5$	$l \pm 3$	$d \pm 0.05$
RX75-2	0.125	7.0	3.6	6.0	15	0.6
	0.25	7.25	4.7	12		
RX75-3	0.125	$L \pm 0.3$		$D \pm 0.3$		$l \pm 2$
		7.5		3.2		23

### ■ Technical Specifications

Type	RX75-2	RX75-2	RX75-3
Rated Power at 70°C(W)	0.125	0.25	0.125
Max Working Voltage(V)	50	158	35
Insulation Voltage(V)	100	350	100
Resistance Range( $\Omega$ )	10R ~ 20K	10R ~ 100K	5.1R ~ 10K
Tolerance Range	W ( $\pm 0.05\%$ ), B ( $\pm 0.1\%$ ), C ( $\pm 0.25\%$ ), D ( $\pm 0.5\%$ ), F ( $\pm 1.0\%$ )		
TC-Range( $10^{-6}/K$ )	C6 ( $\pm 10$ ), C5 ( $\pm 15$ ), C4 ( $\pm 20$ ), C3 ( $\pm 25$ )		

# Series RX75

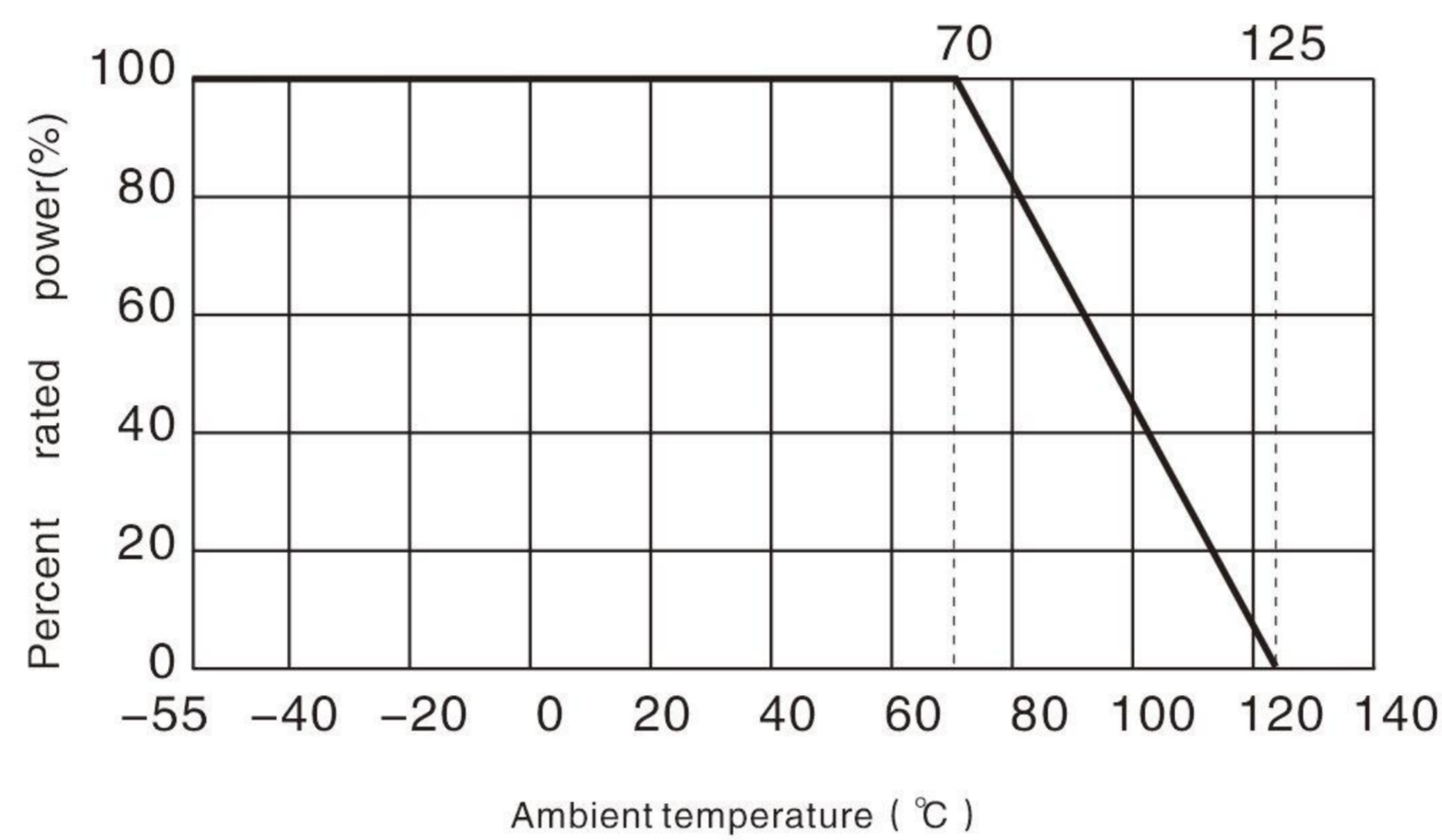
## Precision Wirewound Resistors



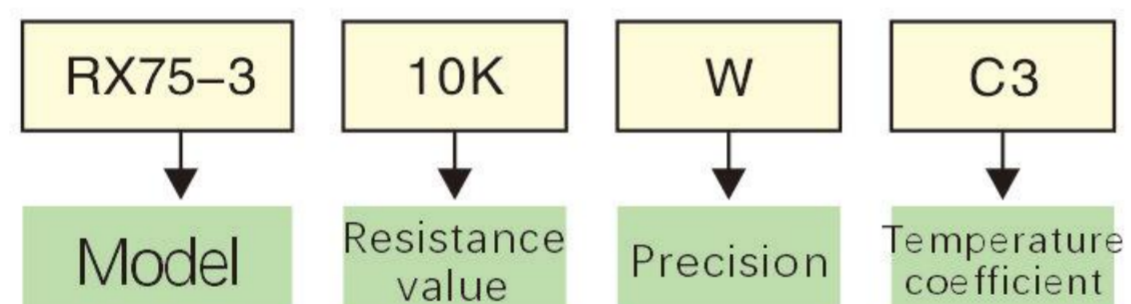
### Reference Standards

GB/T5729-2003、GB5734-85

### Derating Curve



### Examples for purchase



### Packaging

Packaging: Bulk in plastic bags (MOQ: 10 pcs).